

CRC3-HE computer family

**CRC3
HE-SW**



Compact Rugged Computer with Ethernet Switch

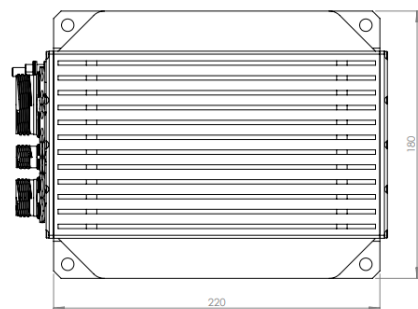
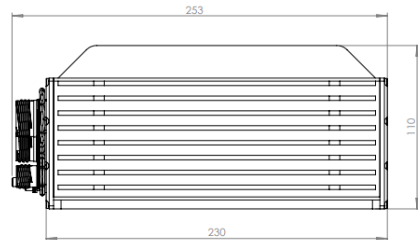
The CRC3-HE product range is born from our long experience in Defense & Aerospace business line. Those Rugged Computers are designed in the same packaging and configured to ensure short time to market , unrisky and controlled price solution for critical programs.

Features

The CRC3-HE-SW system is a full feature Core™ i7 Server combined with local network manageable switching capabilities.

Ideal for tactical vehicle mission computer, embedded communication management, camera acquisition and distribution...

- ◆ Small form factor
- ◆ Intel® Core™ i7 – 3U Open VPX architecture
- ◆ Full Gigabit Ethernet
- ◆ Layer 2+ / I3 management
- ◆ IP66 sealed system
- ◆ Conduction cooled system
- ◆ 10 ports Ethernet switched
- ◆ COTS benefits for risk reduction





Technical Data	
Processor	Intel® Core™ i7 / Xeon™
Memory	Up to 32 GB DDR4 SDRAM, with ECC
O/S	Linux, Windows (Others OS on request)
Power Supply	28 VDC with up to 50 msec Hold-up / MIL-STD-1275D compatible
Environment	MIL-STD 810 and MIL-STD 461
Connectors	Military connectors
Temperature	-40°C to 71°C
Weight / Dimensions	6 kg at full payload / 180 x 110 x 230 mm
Ethernet switch port	10 ports 10/100/1000 Mbps with auto negotiation and auto MDIX
Standard Protocols	IPv4 / v6 support / VLANs / IGMP / QoS / Port mirroring / Jumbo frame (MTU up to 9600)
Serial I/O	1x RS232 1x RS422 / 485
USB	2x USB 2.0
Graphics (Optional)	One DVI output