

CRC3-HE computer family

CRC3 HE-STO



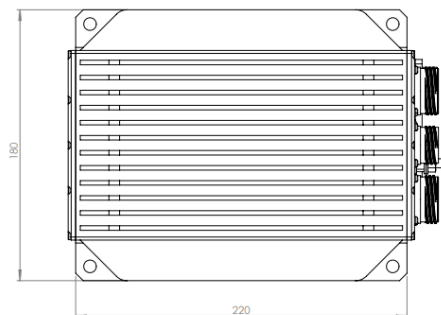
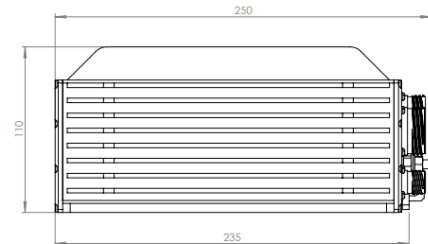
Compact Rugged Computer with Storage Capabilities

The CRC3-HE product range is born from our long experience in Defense & Aerospace business line. Those Rugged Computers are designed in the same packaging and configured to ensure short time to market , unrisky and controlled price solution for critical programs.

Features

The CRC3-HE-STO system is a full feature server based on Intel® Core™ processor, with large storage capacities. Ideal for mission / navigation computers, application requiring map database or mission recording.

- ◆ Small form factor
- ◆ Intel® Core™ i7
- ◆ Up to 8 TB storage on 2 SSD
- ◆ Up to 32 GB of soldered RAM
- ◆ Conduction cooled system
- ◆ COTS benefits for risk reduction





Technical Data	
Processor	COMe module Intel® Core™ i7
Memory	Up to 32 GB
O/S	Linux, Windows (Others OS on request)
Boot Device	Solid State Drive, Onboard NAND Flash
Power Supply	28 VDC [18-36 range] / option MIL-STD-1275D
Environment	MIL-STD 810 and MIL-STD 461
Connectors	Military connectors
Temperature	-40°C to 71°C operating
Weight / Dimensions	5 kg at full payload / 180 x 110 x 230 mm
Storage	Solid State Drive (SSD) from 512 GB to 4TB per drive
Options	
USB	Additional USB ports (3.0 / USB 2.0)
Serial ports	RS422/485
Video	DVI or VGA or Display port
Real time clock	iRTC highly accurate industrial RTC
Safety	TPM 2.0
Extraction	Extractability of one or both SSD
RAID	Software RAID 0 or RAID 1